

MX

Manual Stackers

MX Series is not only an excellent compromise between price and performance but also a very resistant machine. Reinforced forks, steel pulley and forks precisely driven by rollers, are some of the main features of this stacker. The machine is also equipped with a foot pedal to lift forks, which considerably reduces the operator's effort.



STEEL PULLEY

A big chain and a strong steel pulley ensure great resistance and reliability even working with the max load capacity.



FOOT BRAKE

The foot brake performs the parking brake function.



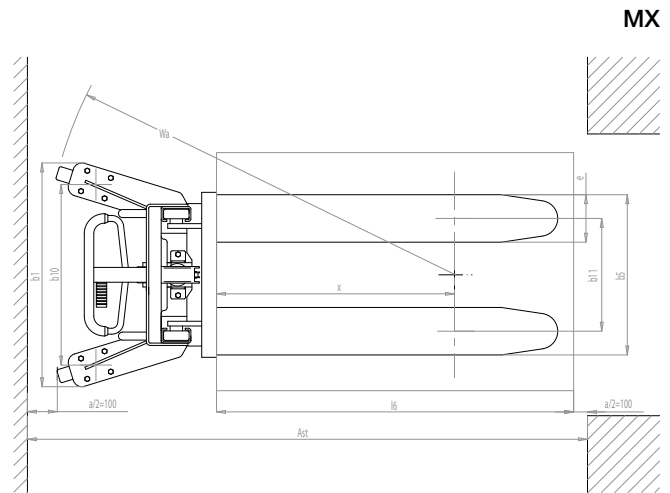
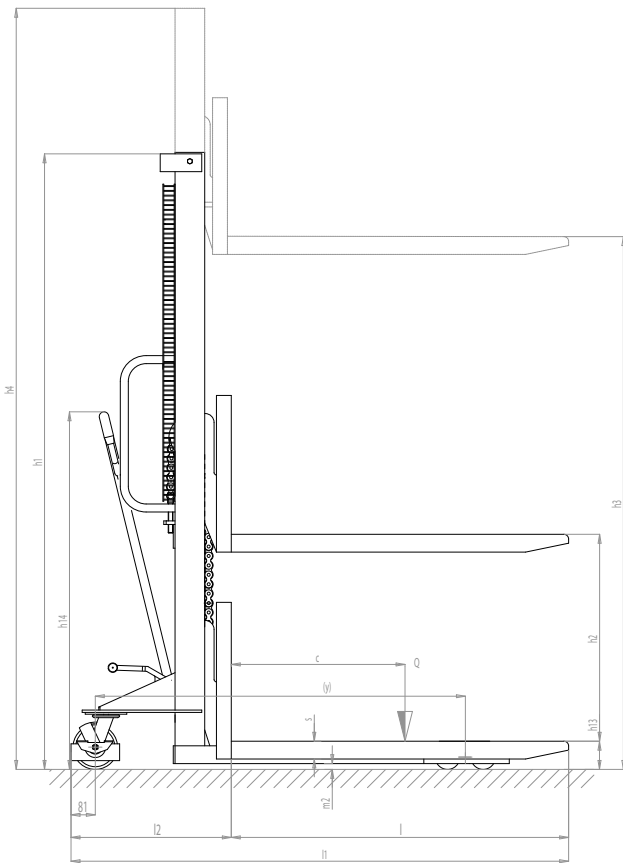
TILLER

The plastic cover increases the ergonomic character of the MX handle, rendering the raising and transport operations even "lighter". The 3-position control lever (down, neutral, up) is placed on the steering wheel to foster manoeuvrability.



MAX PRESSURE VALVE

When maximum load capacity is exceeded, the oil pressure exceeds its maximum limit and the valve automatically stops the forks from lifting. In this way, possible structural damage is avoided.



KENNZEICHEN

1.2 MODEL		MX 510	MX 516	MX 1016
1.3 DRIVE		MANUAL	MANUAL	MANUAL
1.4 OPERATOR TYPE		PEDESTRIAN	PEDESTRIAN	PEDESTRIAN
1.5 LOAD CAPACITY	Q kg	500	500	1000
1.6 LOAD CENTRE DISTANCE	c mm	600	600	600
1.8 LOAD DISTANCE, CENTRE OF DRIVE AXLE TO FORK	x mm	800	800	800
1.9 WHEEL BASE	y mm	1240	1240	1240

WEIGHTS

2.1 SERVICE WEIGHT WITH BATTERY	kg	185	200	210
2.2 AXLE LOAD LADEN, FRONT/REAR	kg	202/483	213/487	309/901
2.3 AXLE LOAD UNLADEN, FRONT/REAR	kg	113/72	123/77	129/81

TYRES/CHASSIS

3.1 TYRES		N/N	N/N	N/N
3.2 TYRE SIZE, FRONT (Ø x width)		150x40	150x40	150x40
3.3 TYRE SIZE, REAR (Ø x width)		80x70	80x70	80x70
3.5 WHEELS, NUMBER (x=DRIVEN) FRONT/REAR		2/2	2/2	2/2
3.6 TREAD, FRONT	b10 mm	600	600	600
3.7 TREAD, REAR	b11 mm	380	380	380

DIMENSIONS

4.2 HEIGHT, MAST LOWERED	h1 mm	1490	2080	2080
4.3 FREE LIFT	h2 mm	910	1510	1510
4.4 LIFT	h3 mm	910	1510	1510
4.5 HEIGHT, MAST EXTENDED	h4 mm	1490	2080	2080
4.9 HEIGHT OF TILLER IN DRIVE POSITION MIN/MAX	h14 mm	490/1090	490/1090	490/1090
4.15 HEIGHT, LOWERED	h13 mm	90	90	90
4.19 OVERALL LENGTH	l1 mm	1690	1690	1690
4.20 LENGTH TO FACE OF FORKS	l2 mm	540	540	540
4.21 OVERALL WIDTH	b1/b2 mm	740	740	740
4.22 FORK DIMENSIONS	s/e/l mm	60/170/1150	60/170/1150	60/170/1150
4.24 FORK-CARRIAGE WIDTH	b3 mm	550	550	550
4.25 DISTANCE BETWEEN FORK ARMS	b5 mm	550	550	550
4.32 GROUND CLEARANCE, CENTRE OF WHEEL BASE	m2 mm	30	30	30
4.34 AISLE WIDTH FOR PALLETS 800x1200 LENGTHWISE	Ast mm	2166	2166	2166
4.35 TURNING RADIUS	Wa mm	1400	1400	1400

PERFORMANCE DATA

5.2 LIFT SPEED, LADEN/UNLADEN	m/s	37/37	73/73	73/73
5.3 LOWERING SPEED, LADEN/UNLADEN	m/s	0.16/0.05	0.16/0.05	0.12/0.03
5.10 SERVICE BRAKE		-	-	-

ELECTRIC MOTORS

6.2 LIFT MOTOR POWER	kW	-	-	-
6.4 BATTERY VOLTAGE, NOMINAL CAPACITY C5	V/Ah	-	-	-
6.5 BATTERY WEIGHT	kg	-	-	-
8.4 SOUND LEVEL AT DRIVER'S EAR	dB(A)	-	-	-

G = Rubber, N = Nylon, P = Polyurethane, A = Steel, NE = Nylon extra